

# HAUFMANN

## STANDARD CAST IRON BOILER

### KLIMA



HIGH PERFORMANCE  
STANDARD BOILER  
EASE OF MAINTENANCE  
POWER RANGE FROM 30 kW TO 80 kW



# HAUFMANN

The most advanced technology  
at the most reasonable price

The KLIMA boilers are the result of technological manufacturing with the highest quality for the utmost comfort and reliability.

### LARGE HEAT EXCHANGER AREA

The design of the heat exchanger allows a perfectly balanced thermodynamic exchange. Numerous fins in the heat exchanger favour the exchange by radiation and increase the turbulence effect reinforcing the exchange by convection.

### LARGE WATER CAPACITY

The circulation system of the combustion gases in the heat exchanger, allows thermal self-balancing. The optimized passage of gases, rationally and effectively distributes the heat load avoiding mechanical contractions.



KLIMA  
KLIMA F



## COMPETITIVE AND AFFORDABLE PRODUCT

As a result of being a member of Mondragon Group with more than 300 companies , over 85000 employees and with sales of around 14 billion Euros, we are able to offer highly competitive products manufactured to the highest standards.

## FRONT PANEL



1. Main switch
2. Safety thermostat
3. Boiler thermometer
4. Boiler thermostat
5. Climate control with digital or analogic clock
6. Pressure gauge

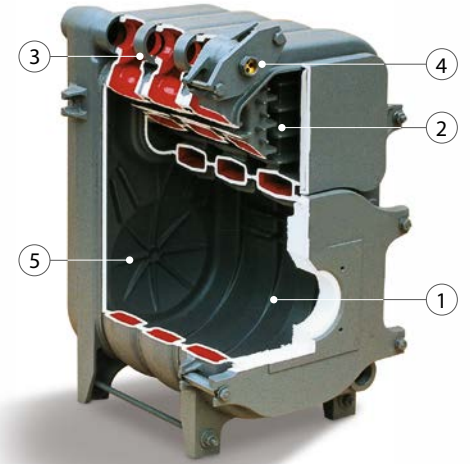
## STANDARD BOILER

The manufacturing process used to make the heat exchanger and the composition of the specially treated anti corrosive iron, allows the traditional operation, but also the use at low temperatures.

## HIGH EFFICIENCY

The design of the KLIMA boilers are characterized by its cast iron body (type GG20) and high efficiency in agreement with stringiest requirements of the Ecodesign European Directive (ErP), approved for a B rating.

All the elements of this heat exchanger are tested at 10 bar before assembly and 6 bar after, thereby ensuring the perfect sealing and quality of the boiler.

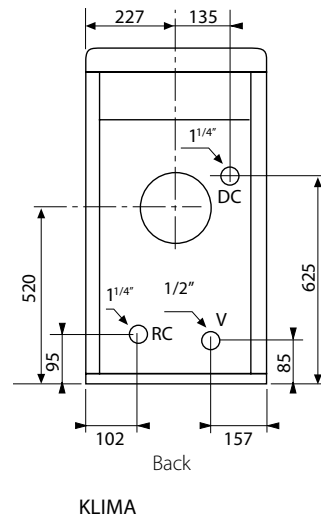
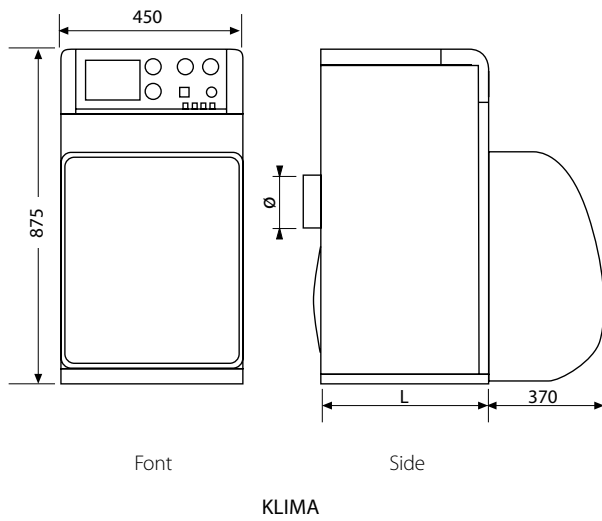


1. Large Combustion Chamber
2. Heat Exchanger
3. Anti dilatation joint
4. Thermostat sheath
5. Curved back element with directional flaps

## افضلية التركيب حسب المواصفات الالمانية

KLIMA 30	100 ELEMENTS / 160 KCAL + 150 LITRES مياہ ساخنہ
KLIMA 40	150 ELEMENTS / 160 KCAL + 150/200 LITRES مياہ ساخنہ
KLIMA 50	200 ELEMENTS / 160 KCAL + 200 LITRES مياہ ساخنہ
KLIMA 60	220 ELEMENTS / 160 KCAL + 300 LITRES مياہ ساخنہ
KLIMA 60	250 ELEMENTS / 160 KCAL + 200 LITRES مياہ ساخنہ
KLIMA 70	270 ELEMENTS / 160 KCAL + 300 LITRES مياہ ساخنہ
KLIMA 70	300 ELEMENTS / 160 KCAL + 200 LITRES مياہ ساخنہ
KLIMA 80	330 ELEMENTS / 160 KCAL + 300 LITRES مياہ ساخنہ
KLIMA 80	350 ELEMENTS / 160 KCAL + 200 LITRES مياہ ساخنہ

## DIMENSION



DC: Heating outlet  
 RC: Heating inlet  
 V: Emptying valve

Models	Side L mm	Ø Flue duct	M mm
KLIMA HFD 30	385	150	340
KLIMA HFD 40	485	150	340
KLIMA HFD 50	585	150	340
KLIMA HFD 60	685	175	370

Models	Depth mm	Ø Flue duct	Width mm
KLIMA HFS 30	385	150	455
KLIMA HFS 40	485	150	455
KLIMA HFS 50	585	150	455
KLIMA HFS 60	685	175	455
KLIMA HFS 70	785	175	455
KLIMA HFS 80	885	175	455

Models	Weight kg	Output Power kW	Input Power KW	Ø Chimney	Water Content L	Burner Included	ErP Classification
KLIMA HFD 30	110	28,1	33,10	150	17,5	inclus	B
KLIMA HFD 40	135	39,4	45,50	150	22	inclus	
KLIMA HFD 50	160	50,8	58,40	150	28	inclus	
KLIMA HFD 60	185	60,7	69,80	175	33	inclus	

Models	Nbre. mm	Depth L	Weight kg	Output Power kW	Inut Power KW	Recommendation for burner options	Ø Chimney	Water content	ErP Classification
KLIMA 30	3	395	110	28,1	33.10	D3	150	17,5	B*
KLIMA 40	4	495	135	39,4	45,10	D4	150	22	
KLIMA 50	5	595	160	50,8	58,40	D4	150	28	
KLIMA 60	6	695	185	60,7	69,80	D6	175	33	
KLIMA 70	7	795	210	71,4	82.10	D6	175	38	-
KLIMA 80	8	895	235	83,3	95.79	D10	175	43	-

\* Energy classification characterizes the boiler equipped with a Domusa Teknik burner as an option.



HAUFMANN ENERGY GMBH&CO

WWW.HAUFMANN-DE.COM